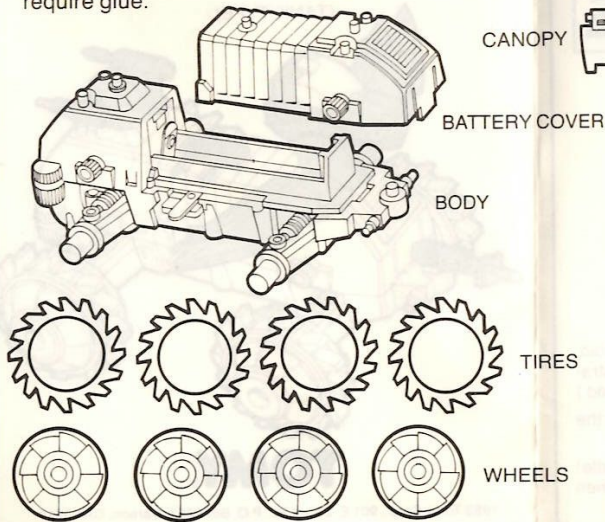


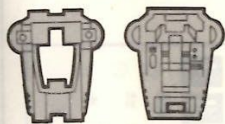
BEGIN HERE

These are all parts you need to put together your Power Zoid. Start with battery insertion (requires 1 "AA" Alkaline battery, not included) and wheel assembly. Study the pictures carefully.

Next, proceed with assembling the cockpit (step 3). All Power Zoids parts snap together and do not require glue.



COCKPIT

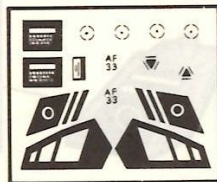


(UPPER) (LOWER)

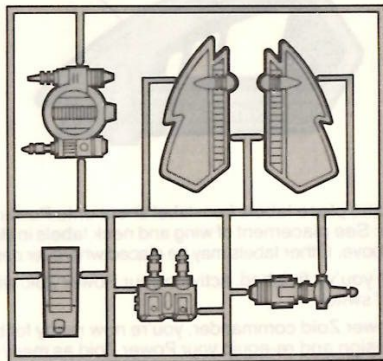


PILOT

LABEL SHEET

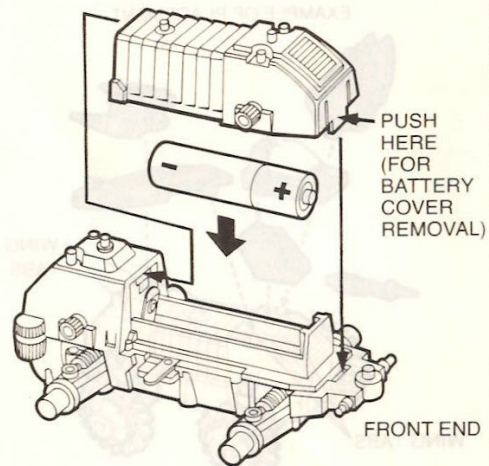


ACCESSORIES



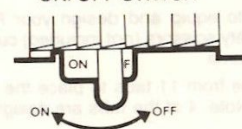
1

BATTERY INSERTION



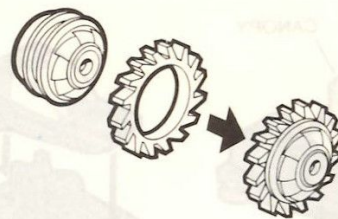
FRONT END

ON/OFF SWITCH

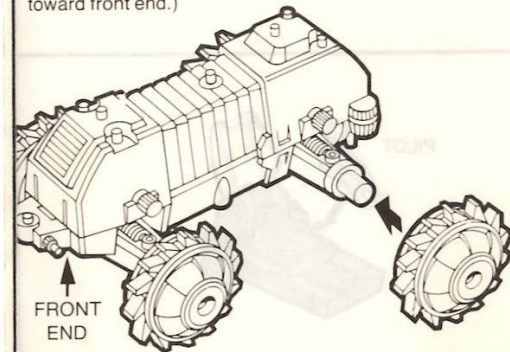


2

WHEEL ASSEMBLY



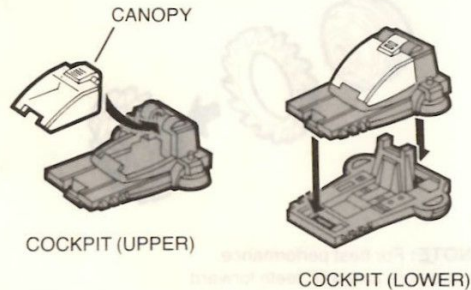
(NOTE: For best performance, make sure tires are "teeth forward" toward front end.)



FRONT END

3

COCKPIT ASSEMBLY



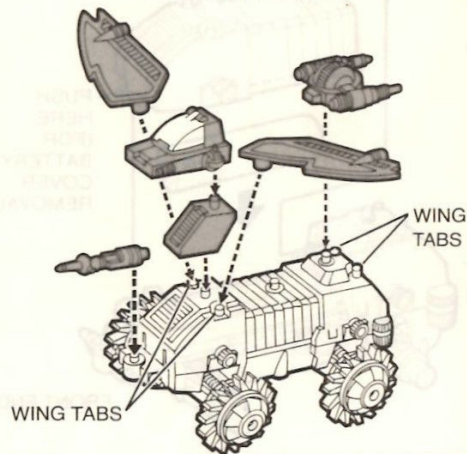
PILOT



4

ACCESSORIES

EXAMPLE OF PLACEMENT

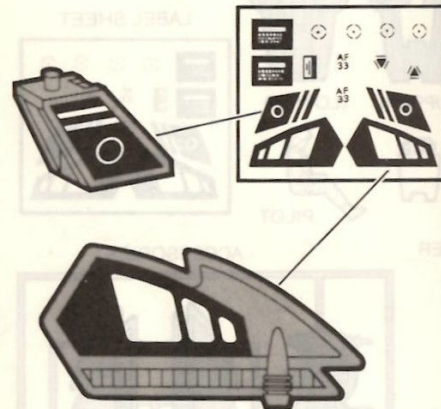


Now it's time to equip and design your Power Zoid. Using your safety scissors (not included) cut the accessories off the frame.

You can choose from 11 tabs to place the cockpit and accessories. (Note: 4 of the tabs are designed for Zoid wings only.)

5

LABEL APPLICATION



Peel and place labels from label sheet onto Power Zoid. (Note: See placement of wing and neck labels in illustration above. Other labels may be placed wherever desired.)

When you've finished, activate your Power Zoid with the on/off switch.

As Power Zoid commander, you're now ready for battle! Re-design and re-equip your Power Zoid as many times as you wish!

POWER ZOIDS[®]

INSTRUCTIONS

(TANK-TYPE)



TOMY[®]

© 1983 Tomy Corp., 901 E. 233rd St., P.O. Box 6252, Carson, CA 90749